



# Finesse™ Peak®

Headerless frameless pivot shower door  
5698-28

## Features

- Heavy 1/4" (6 mm) glass for strength and stability.
- CleanCoat®+ glass coating creates a hydrophobic barrier that repels water, soap scum, and residue, saving time and protecting shower doors 10 times longer than original CleanCoat. (Based on 2021 internal wear/abrasion testing using a microfiber cloth.)
- Tempered glass ensures enhanced safety and durability.

## Installation

- Out-of-plumb adjustability simplifies installation.
- Door can be installed to open to the left or right to suit your bathroom layout.
- Not for use in hospitality.
- For residential use only.

## Included Components

Additional Components:  
Hardware kit



## Codes/Standards

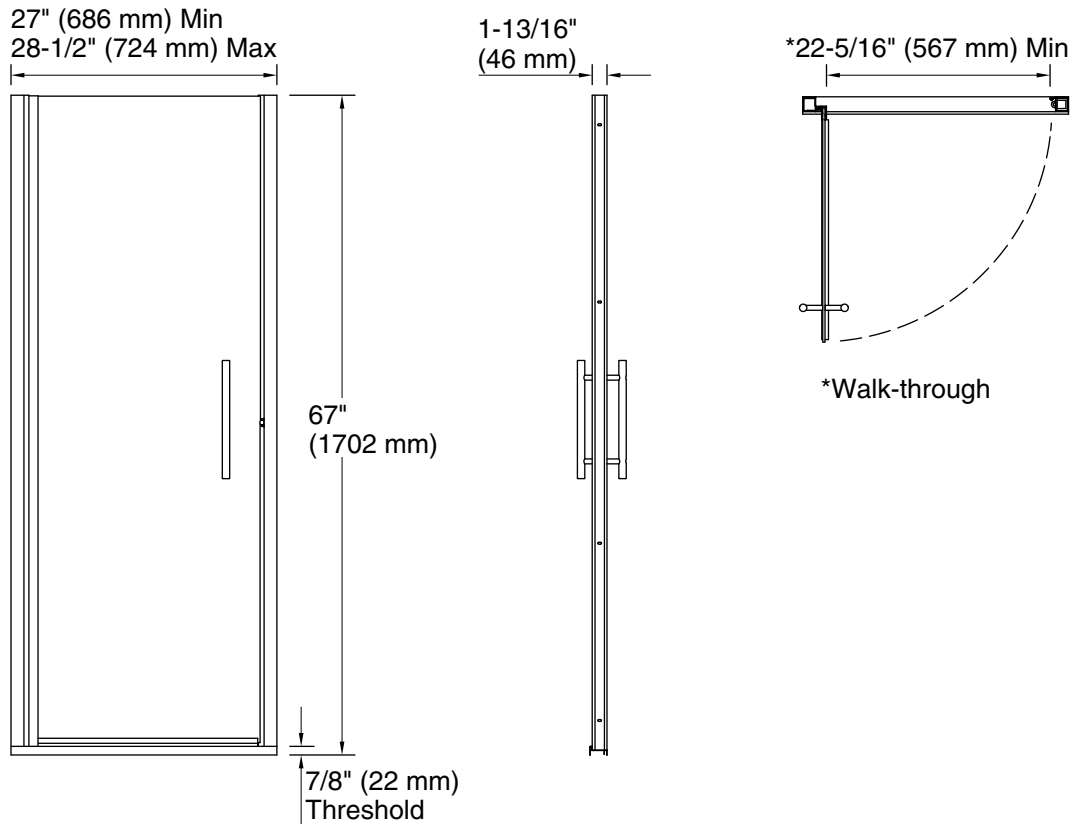
ANSI Z97.1  
CPSC 16CFR 1201

## STERLING® Warranty - Bath and Shower Doors

See website for detailed warranty information.

## Available Glass Options

Code	Description
G05	Clear
G03	Frosted



**Technical Information**

All product dimensions are nominal.

- Installation type: For shower base installation
- Opening Width - Min: 27" (686 mm)
- Opening Width - Max: 28-1/2" (724 mm)
- Walk-through - Min: 22-5/16" (566 mm)
- Base-To-Wall Radius - Max: 1/2" (13 mm)
- Glass thickness: 1/4" (6 mm)
- Glass coating: CleanCoat®

**Notes**

- Install this product according to the installation instructions.
- The vertical opening should be a minimum of 67" (1702 mm) to allow for installation clearance.